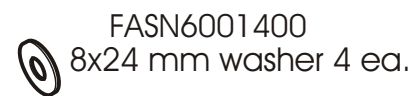
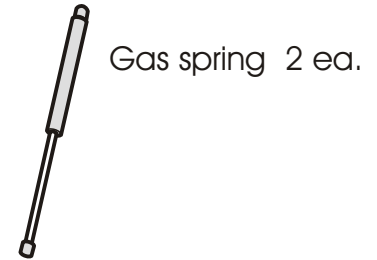
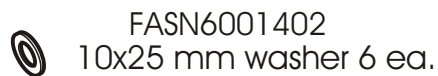
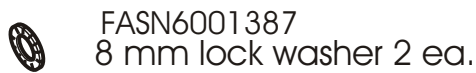
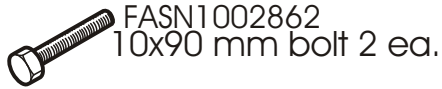


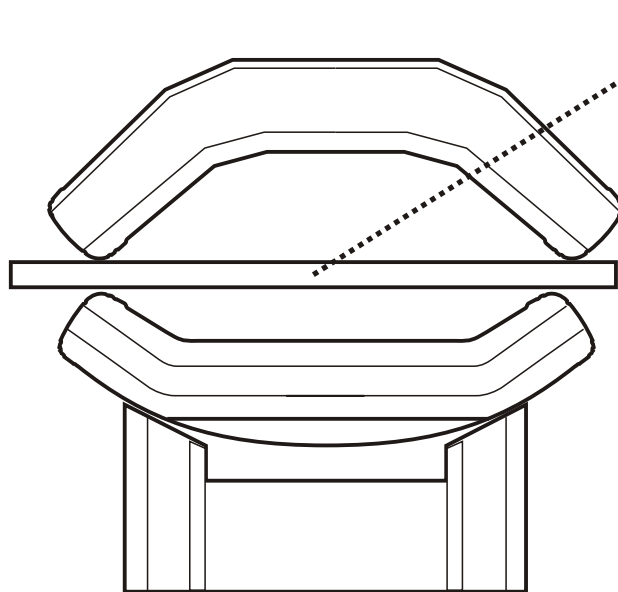
Assembly Instructions



Tools Needed

1. Metric wrench sizes 12 mm , 13 mm and 17 mm.
2. Medium Flatblade screwdriver.
3. # 2 Phillips Screwdriver

Bench & Canopy Assembly



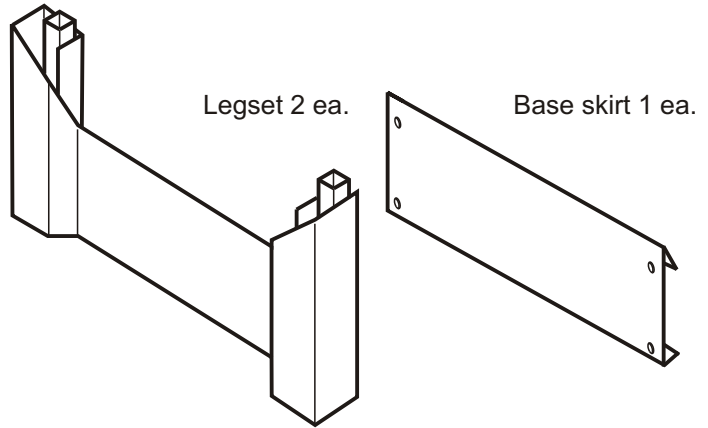
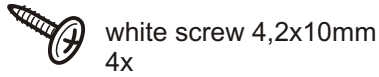
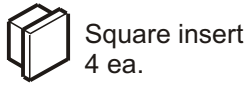
2"x 4" wood studs

When attaching the canopy to the bench, it is best done with two people helping each other.

1. Attach the leg set & base skirt using the instructions for the base.
2. Turn the bench over.
3. Put the 2 x 4 's on the bench carefully .
4. Place the canopy onto the bench to the left.

1. Base Assembly (Starts Here)

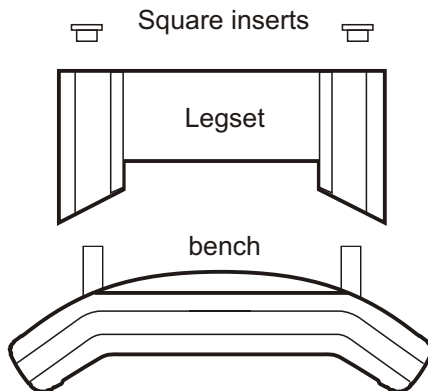
Parts



Tools Needed

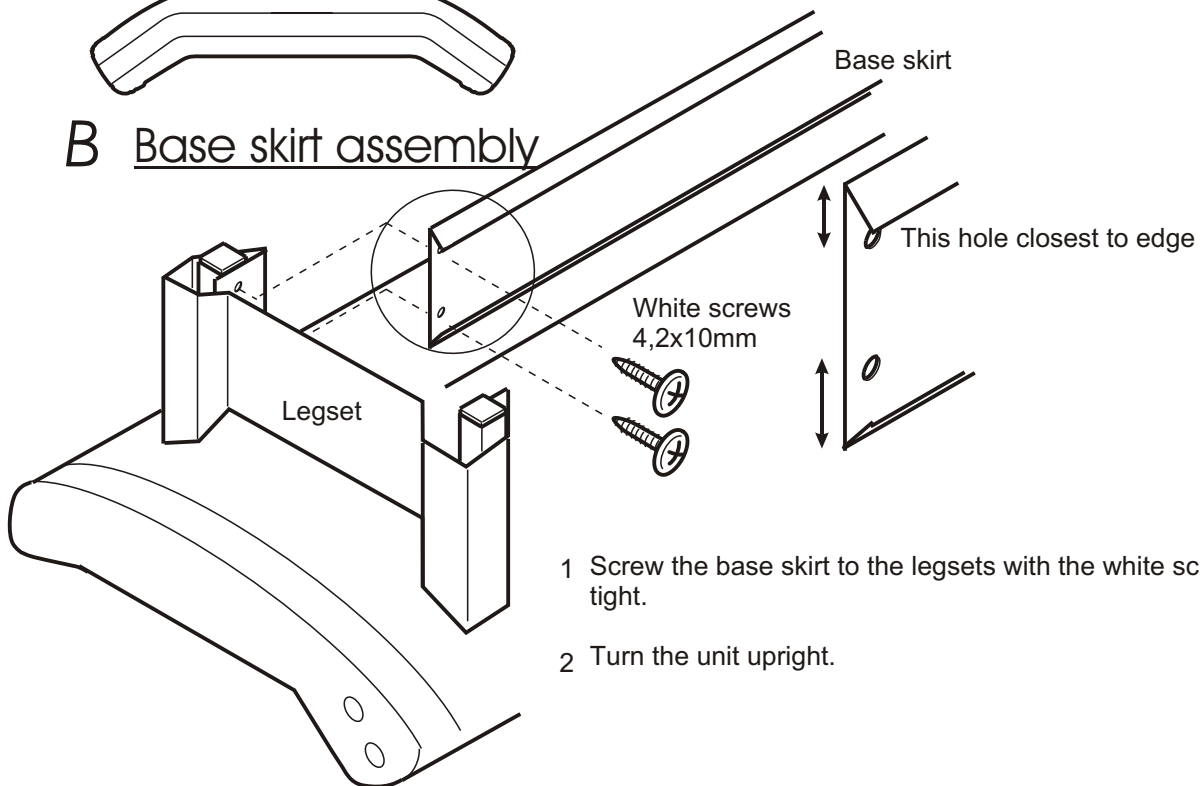
- Rubber mallet
- Phillips screwdriver

A Leg set assembly



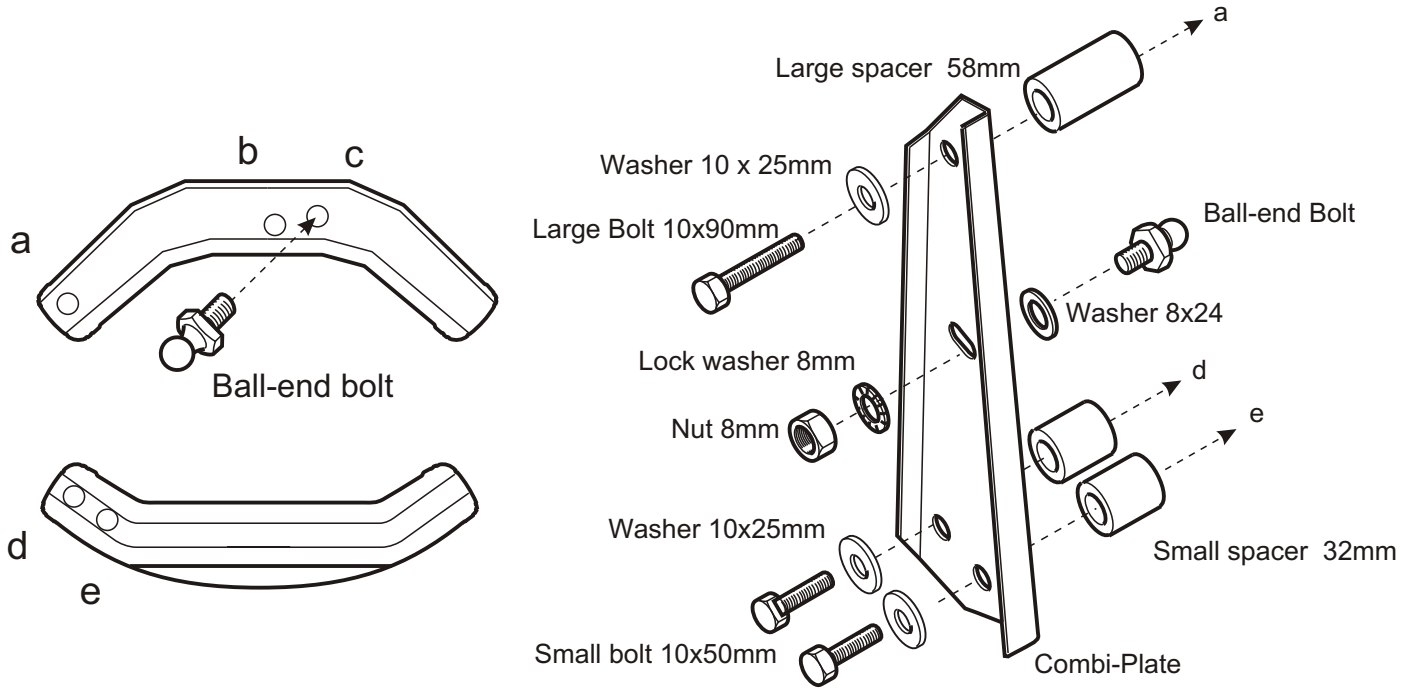
- 1 Install the leg caps in to the legset frame.
- 2 Turn the bench upside down.
- 3 Install the legset with closed face on the frame of the bench

B Base skirt assembly



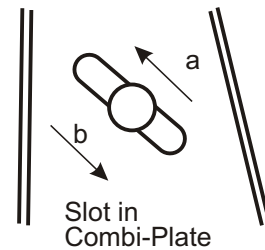
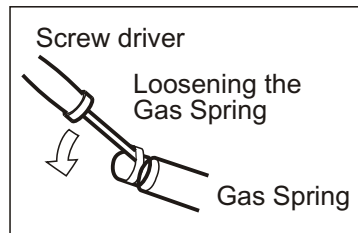
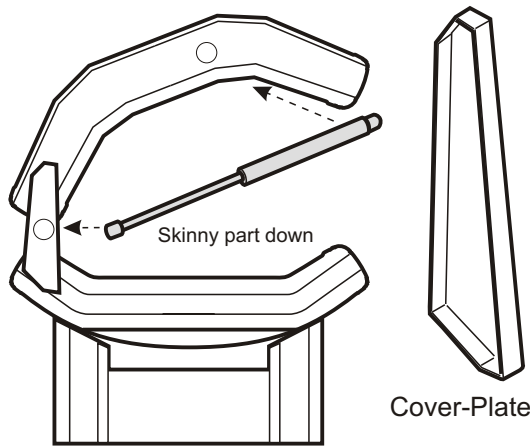
- 1 Screw the base skirt to the legsets with the white screws ,hand tight.
- 2 Turn the unit upright.

2. Combi-Plate Assembly



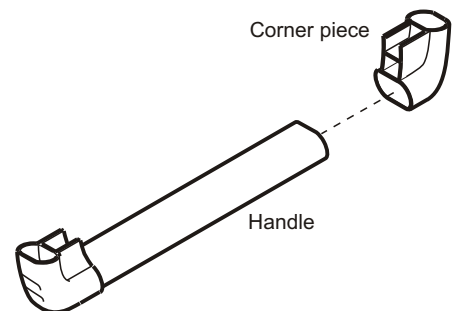
1. Attach the White Combi-Plates to the bench as shown in the diagram, with the open side facing outwards.
2. Attach the ball-end bolts to the middle of the slot in the combi-plates.
3. Lift up the canopy enough so you can insert the bolt in (a) .
4. Fasten all connections.
5. Screw in the two ball-end bolts into (c) .

3. Gas Spring Assembly



1. Lift up the canopy to where the gas-springs line up with the ball-end bolts.
2. Click on the skinny part of the gas-spring tot the bench first, then the fat part to the canopy.
3. Let go of the canopy in a horizontal position. If it moves down , adjust the ball-end bolts of the combi-plates to the top of the slots (a). If the canopy moves down, adjust the ball-end bolts down the slots (b) .

4. Handle Assembly



1. IMPORTANT! Do Not put the corners on first.
2. Insert the handle in one of the corner pieces.
3. Click this onto the mounting plate on the front of the canopy. NOTE: Make sure corners CLICK. If needed, bend back tabs on mounting rail.

Removal and Installation of Acrylic Sheet

(Instructions Apply to Both Bench and canopy Units)

1. Lift the clickstrips at both sides next to the acrylic sheet.
2. Remove the securing screw.
3. Shift the acrylic sheet towards the head end of the unit as far it will go.
4. Carefully lift the acrylic sheet at the other end.
5. Slowly pull the acrylic sheet out of the end cap.

Assembly takes place in the exact reverse order of dis-assembly

