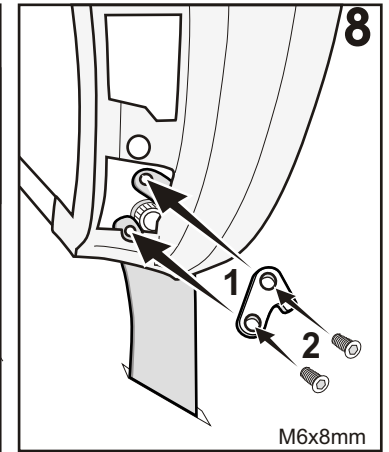
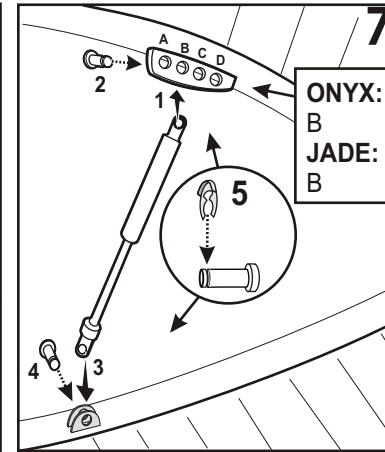
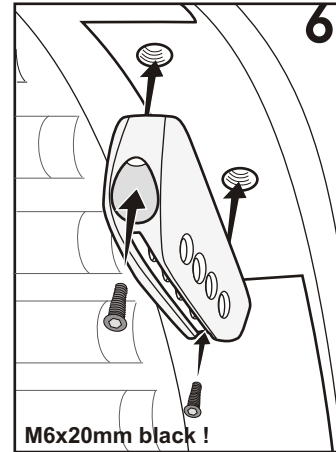
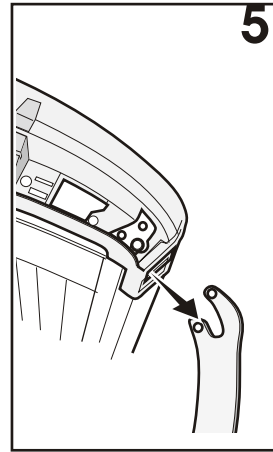
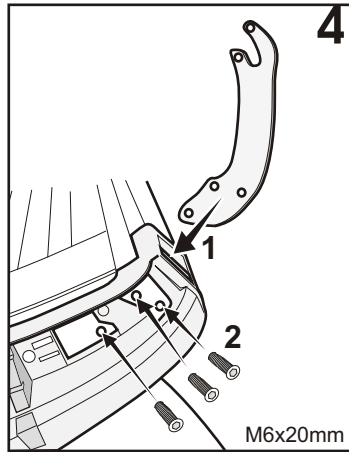
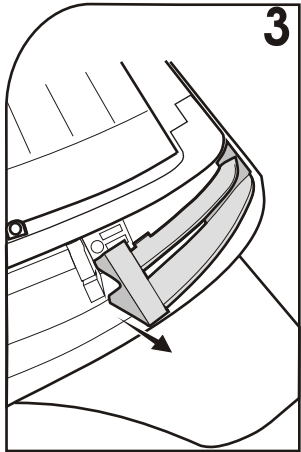
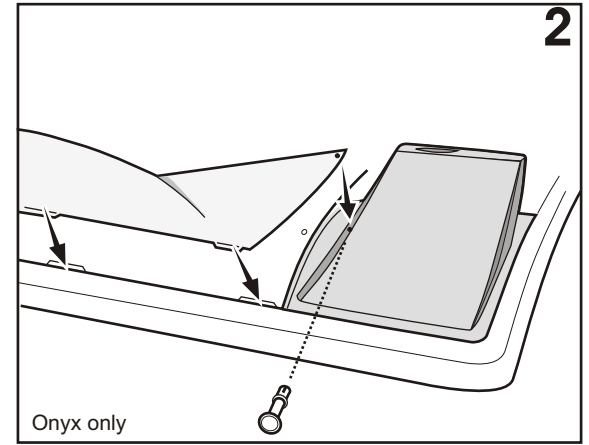
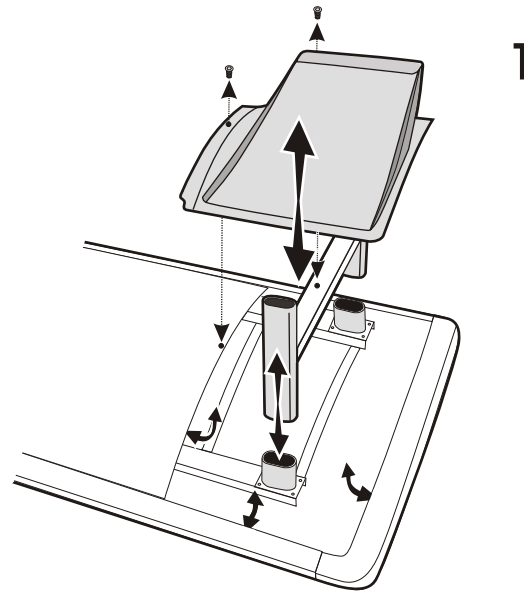


# Assembly Manual

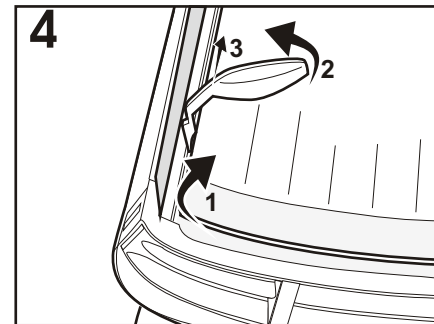
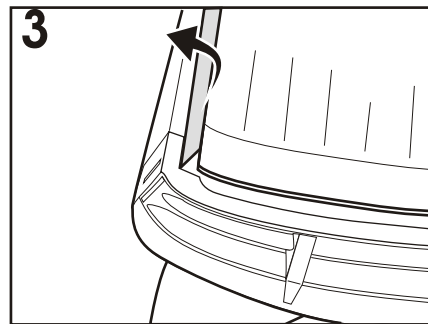
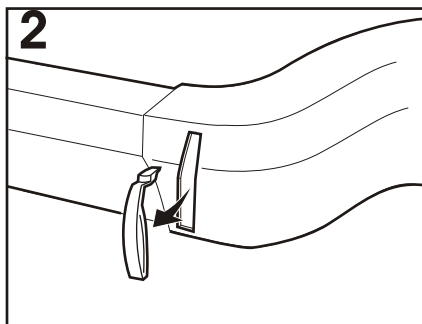
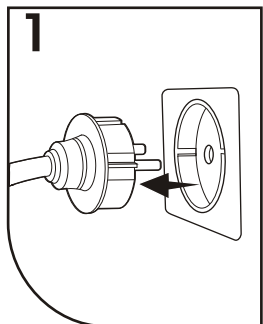
## ONYX / JADE

Note: If the Gas-Shock is mounted do not move the Canopy until the security plates are attach.

(See fig 7 and 8)



### Removing the acrylic sheet



**ProSun**<sup>®</sup>  
A Worldwide Leader In Tanning Equipment

